



**"ИМЕКСТРА" ЕООД**

e-mail: [office@imextra.eu](mailto:office@imextra.eu)

Web-site: [www.imextra.eu](http://www.imextra.eu)

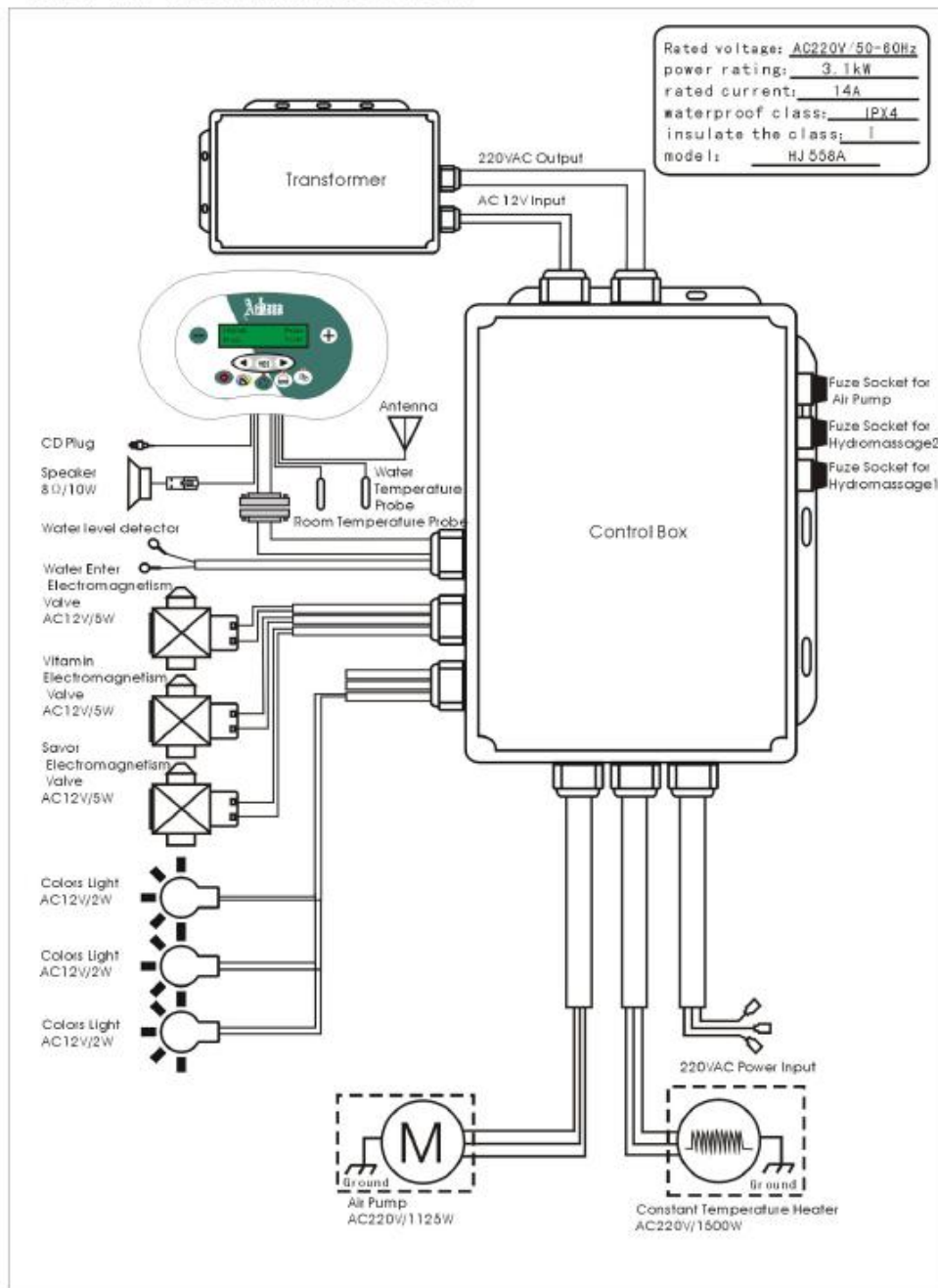
**ХИДРОМАСАЖЕН ДУШ "ВИШИ"**

**VICHY spa**

MODEL: A-8048



# INSTALLATION INSTRUCTION



# A-8048 VICHY Functions Instruction



	Power switch		Drain key		Increase key
	Colors light		Confirm key		Decrease key
	Clean key		Function forward choosing		
	Water enter key		Function backward choosing		

## 1. Turn ON /OFF:

When A-8048 is connected to 220V 50HZ alternate current, the controller is in working mode. Press “” button to activate the A-8048 machine, and press again to turn off. The temperatures of both room and water will appear on LCD “”.

## 2. Clean Function

Press “” to activate the clean function, meanwhile, the light “” will turn on. Both clean function and light will shut off automatically in 10 seconds since they started to work.

## 3. Water-enter Function.

Press the “” key to activate water-enter function and the light “” will turn on. Press again to return off both of them. Water will enter automatically when the level of the bathtub Water do not reach the level of enactment and it will stop automatically when the water level reach the level of the enactment.

Notice: The all functions of WATER PUMP, AIR PUMP and CONST HEATER cannot work until the level of water in bathtub reach or beyond the level of enactment.

## 4. Drain Function

When bathtub water runs out, press the “” key to activate the Drain Function and the function light “” turn on. Both the Function and light are to be turned off automatically in 10 minutes.

## 5. Functions Operation

Functions process: HydroMassage 1/2(water Pump)-Heater-Set Timer-Radio-CD- Volume. Press “” key or “” key to choose any one of these functions. Press “(YES)” to activate the function you have chosen. It is stopped by one more press.

## 6. Hydromassage (Water Pump) Operation

- Press the “” key, and “Hydromassage on/off” appears on the screen “”. Press “(YES)” key to function and press again to turn off.
- The Hydromassage Function can operate only when the water level meets the degree of the enactment. And it will stop automatically when the water level under the degree of the enactment.
- When the Hydromassage is in working mode, press “ + ” key to adjust the massage strength. The adjustment ranges from 0-12.
- When the Hydromassage is in working mode, press “ + ” key to adjust the massage strength. The adjustment ranges from 00-99.

## 7. Constant Heater Operation

- (1). While pressing “◀ ▶” key, both “Heater Off” and “Set Temp 38℃” appear on the screen “”. Press the “YES” key to function the Const Heater, and press again to turn off it.
- (2). Const Heater will turn off automatically while the temperature is beyond the adjustment by two degree. And it will work again while the temperature is less than the adjustment by two degree.
- (3). If Constant Heater is in working mode, you can press “⊖ ⊕” to adjust the temperature. The range is from minimal 35℃ to maximum 45℃. The temperature will adjust to 38℃ automatically without adjustment.
- (4). The Constant Heater cannot work until the level of bathtub water reaches or beyond the level of the enactment. Const Heater will turn off automatically while bathtub water's level cannot reach the enactment.
- (5). The Constant Heater can work only after the water pump is in working mode.

## 8. Timer Function

- (1). “Set Timer 60 Min” will appear on the screen “” while pressing “◀ ▶” key. Press “YES” key to function Timer Function and press again to turn off.
- (2). You can press “⊖ ⊕” key to adjust the time range from 00 to maximum 90 minutes. The mark “00” means that you have set no time. And 60 minute has been set for you automatically if you do no adjustment.

## 9. Radio Function

- (1). “Radio Off” will appear on screen “” while pressing “◀ ▶” key. Press “YES” key to turn on the radio, and “Radio On” appears on the screen, and press again to turn off the radio.
- (2). In the radio working mode, press “⊖ ⊕” to adjust the radio channel, and each press is to increase / decrease 0.1 MHz. Keeping pressing for around 1 second, the automatic-searching function is activated and begin searching new channels. It will stop searching automatically when a new channel is caught.

## 10. CD Function

- (1). “CD Off” will appear on the screen “” while pressing “◀ ▶” key. Press “YES” key to activate CD function, meanwhile “CD On” appears on the screen, and press again to turn off.

## 11. Volume Adjustment

- (1). “Volume” will appear on the screen “” while pressing “◀ ▶” key. Press “YES” key to function the volume adjustment and press again to turn off.
- (2). Press “⊖ ⊕” key to adjust the volume when volume adjustment is in working mode. The range is from 00 to maximum 16.

## 12. Urgency Switch Function

Urgency switch has been set in this system. The electricity of all the functions will be cut off automatically in urgent situation. All the functions in this system cannot rework without another press on the urgency switch.

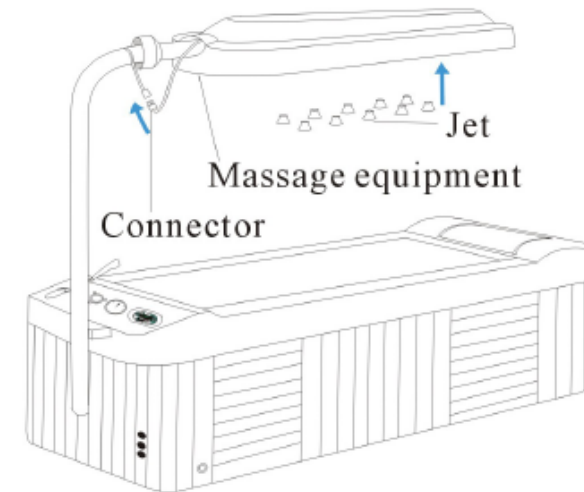
## 13. Remote controller.

There is Remote Controller Function for all the functions above.

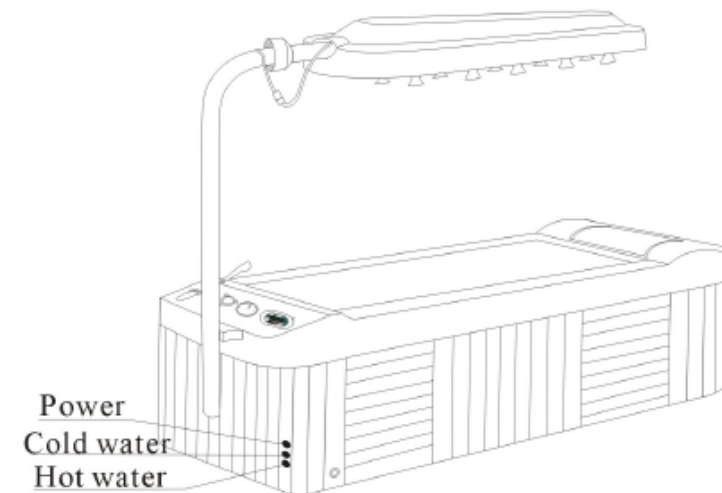
## ATTENTION:

Consumers have to attach another **SAFETY SWITCH** to A-8048 when it is installed.

## Vichy installation



Step-5: Join the wire line with the connector, and install jets



Step-6: Connect the power and water pipe, finish the installation.