

WHIRLPOOL BATHS

WKR, WKD, WKG, WKS



suitable for:

- rehabilitation
- massage
- relaxation

upper and lower
extremities

feet and shanks

spine





Control panel



Convenient placement of valves for treatment in standing or sitting position



Modern nozzles for water jet direction and force control

Semi-automatic plug for easy water drainage



Swivel chair for WKG & WKS



Footsteps for WKD



Screen

Meden-Inmed presents you a family of professional whirlpool tubs designed for SPAs, wellness salons, hotels, rehabilitation and sports centres.

Meden-Inmed whirlpool tubs are perfect for hydro massage of limbs in post-injury conditions, nervous system disorders or muscular and nervous system fatigue. Used at home or professionally, they also help to achieve balance and relax during recovery after physical or mental stress.

The latest technical solutions applied in Meden-Inmed whirls:

Big diameter drain and filling system

- reduces filling and drainage time
- increases the number of patients treated per hour

System pump drainage

- prevents bacteria growth in the system and pump
- removes water from the system completely

Pearl whirlpool massage

- through external air suction by the water pump

Modern nozzles

- for better control of the water jet direction and force

Semi-automatic plug

- easy water removal after treatment
- the operator has no contact with water

Control panel

- clear and simple
- allows for setting the treatment time and running the water pump

Smooth, profiled treatment chambers

- easy cleaning
- reduced cleaning time after treatment

Ergonomic tub shape

- comfortable treatment

Pump „dry-run“ operation safeguard

- longer pump life cycle

Temperature indication

- safety and comfort during treatment

Tub descaling indicator

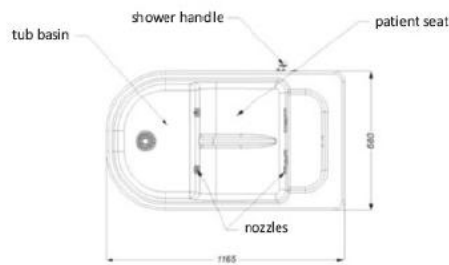
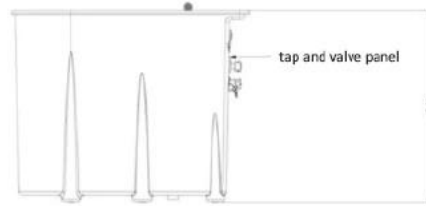
- lits when system needs descaling

WHIRPOOL TUBS

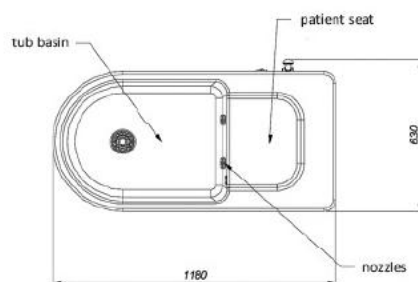
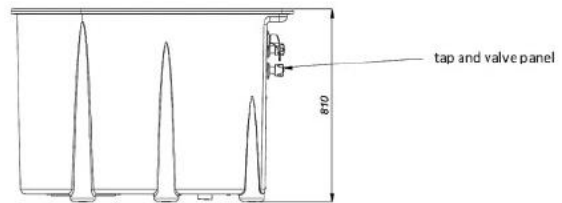
MEDEN-INMED tubs are perfect for hydro massage treatment of limbs and post-injury conditions, in nervous system disorders or muscular and nervous system fatigue. Gentle and effective hydro massage therapy with aerated water jet of adjustable force and temperature through special jet nozzles placed in the most effective way. Whirlpool massage reduces swelling, improves blood circulation, reduces muscle pain and tension.



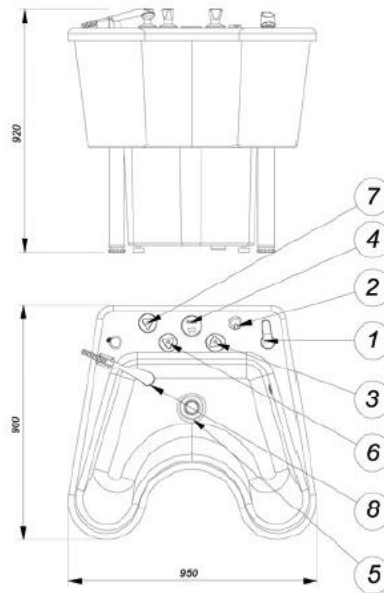
WKR Whirlpool bath for lower extremities and spine



WKD Whirlpool bath for lower extremities

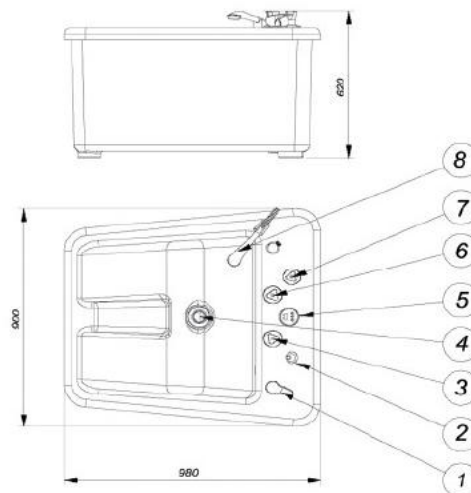


WKG Whirlpool bath for upper limbs



- ① drainage tap
- ② aeration tap
- ③ cold water tap
- ④ control panel
- ⑤ drainage hole
- ⑥ warm water tap
- ⑦ shower tap
- ⑧ shower handle

WKS Whirlpool for feet and shanks



- ① drainage tap
- ② aeration tap
- ③ cold water tap
- ④ drainage hole
- ⑤ control panel
- ⑥ warm water tap
- ⑦ shower tap
- ⑧ shower handle

TECHNICAL DATA:

| Model: | WKG | WKD | WKS | WKR |
|--------------------------|-------------|--------------|-------------|--------------|
| Capacity [l]: | 45 | 160 | 65 | 210 |
| HxWxL [mm]: | 920x950x900 | 810x620x1180 | 620x900x980 | 644x680x1165 |
| No of nozzles/apertures: | 40 | 6 | 40 | 6+6 |
| Pump output [l/min]: | 345 | 345 | 345 | 250 |
| Weight [kg]: | 60 | 53 | 45 | 75 |
| Power supply [V]: | 230/50 Hz | 230/50 Hz | 230/50 Hz | 230/50 Hz |
| Power consumption [kWh]: | 0,9 | 0,9 | 0,9 | 1,5 |
| Class of protection: | I, B | I, B | I, B | I, B |